

operating instructions

instrucciones de operación

instructions

L A Z B O Y

The new look of comfort®

www.lazboy.com

La-Z-Boy Incorporated
1284 N. Telegraph Road
Monroe, MI 48162-3390

Power

recliner or motion sofa

sillón reclinable eléctrico o sofá móvil

fauteuil inclinable ou canapé inclinable

L A Z B O Y®

Congratulations!

You are now the proud owner
of a state-of-the-art Power
Recliner or Motion Sofa by La-Z-Boy®.

You have just selected one of the
finest quality upholstered products
produced in the North American
furniture industry, backed by over
75 years of quality manufacturing
experience. La-Z-Boy® is proud of our
designs and craftsmanship and
know you will feel the same as
you enjoy your new furniture's
comfort and style.

IMPORTANT

**Read the safety and other instructions before
using your Power Ease™ Recliner or Motion Sofa.
Keep this manual for future reference.**

Table of Contents

Important Safety Instructions	4-5
Power Ease™ Recliner Assembly Instructions	6-7
Power Ease™ Motion Sofa Assembly Instructions	8-9
Power Ease™ Back Assembly Instructions	10-13
Power Ease™ Operating Instructions	14
Power Ease™ Troubleshooting.....	15
Reclining Tension Adjustment Instructions	16
Reclining Sofa Glide Adjustment Instructions	17
Furniture Placement Guide.....	18
Notes.....	19

Important Safety Instructions:

Important: Read these instructions thoroughly before using.

DANGER - To reduce the risk of electric shock or serious injury:

- Disconnect the electrical plug from the wall outlet before cleaning, moving, servicing or when not in use for an extended period of time.
- Do not use this product if it is wet, in water, around water or any liquid.

WARNING - To reduce the risk of burns, fire, electric shock or serious injury:

- Always keep open flame and lit cigarettes away from upholstered furniture. Upholstered furniture may burn rapidly with toxic gas and thick smoke.
- Closely supervise children and disabled persons using this product.
- Sit down in the unit slowly. To avoid tip over, do not throw your weight against the back of the unit. Move the unit into or out of the reclining position slowly, making sure that no children or pets are in close proximity.
- This product has many moving parts, serious injury can occur if not used properly. Keep children and pets away from the mechanism. Keep hands, fingers and body parts away from the mechanism.
- Only the occupant should operate the unit. Never attempt to open the legrest by pulling on it.
- Do not stand, sit or place extra weight on the arms, back or open legrest.
- To safely exit the unit and prevent a tripping hazard bring the back upright and close the legrest.
- Do not use this product if it is damaged. Do not use attachments or substitute parts.
- This product is intended for indoor residential use only.
- Provide a clear path for operation of the chair, back and legrest. Place tables and area rugs at a distance to allow the legrest to fully extend without rubbing or interference.
- Check the condition of the power transformer, electrical cord, plug and connectors regularly. Keep the power transformer and electrical cords away from heat sources. Never operate the unit with a damaged power transformer, electrical cord, plug or connector. Contact your La-Z-Boy® dealer for service.
- Do not use unit if power control is damaged or wet. Do not use unit if the hand wand has been dropped in water or any liquid. Contact your La-Z-Boy® dealer for service.
- This product is not intended for use as a health care device.
- Users of medical devices should contact their health care provider before using this product. Do not use this product if you have poor circulation, are immobile or cannot sense heat, except as directed by your health care provider.
- Do not use this product where aerosol (spray) products are being used or where oxygen is being administered.

Save These Instructions

Important Safety Instructions:

Important: Read these instructions thoroughly before using.

WARNING - To reduce the risk of burns, fire, electric shock or serious injury:

- Replace the power transformer batteries every six months and after each power failure use.
- Do not operate the unit until the back is installed and locked.
- Use care when moving the product. Before lifting the product, secure the mechanism to prevent unexpected opening or movement. Never move the product by the mechanism, legrest, handle, reclining back or swivel base. Disconnect modular units. Securely grip non-moving parts only.
- Do not attempt to disassemble or service the pump or motor. No serviceable parts are inside. Contact your La-Z-Boy® dealer for service information.
- This unit is equipped with a tension adjustment feature for the reclining mechanism that is preset at the factory. The tension setting can be changed for your personal preference. To avoid tip over and insure stability, do not operate the unit with the tension adjustment wing nuts completely loosened (See Reclining Tension Adjustment Instructions).
- Keep hands, arms and body parts away from the open area between a reclined back and an upright back on a motion sofa. This area must remain clear at all times to provide unobstructed movement and prevent injury that could occur when a reclined back is returning toward the upright position.

Save These Instructions

Power Ease™ Recliner Assembly Instructions:

⚠ WARNING - To reduce the risk of injury.

- Do not operate the unit until the back is installed and locked.

CAUTION: Do not plug the transformer in until instructed.

Assembly Instructions for Power Ease™ Recliners

1. Locate the Power Transformer and Transformer Cord.
 - The Power Transformer and Transformer Cord are secured to the top of the rear seat frame. Carefully cut the cable tie(s) and remove the Power Transformer and Transformer Cord from the seat frame. Remove the packing and unwind the cords.
2. Install the back.
 - If your chair back has upholstery cover attached to all sides of the back frame, follow the Back Assembly Instructions on pages 10-11.
 - If your chair back has a loose upholstery cover with fastening tape, follow the Back Assembly Instructions on pages 12-13.
3. Connect the Transformer Cord to the motor.
 - Locate the motor connector behind the chair, on the lower right hand (sitting) side (FIGURE 1).
 - Connect the Transformer Cord connector with the motor connector. Push the connectors together until they are secured, with no gaps between them (FIGURE 1).
 - Rotate the Transformer Cord Locking Cover over this connection and snap in place (FIGURE 2).
4. Connect the Power Transformer to the Transformer Cord.
 - Connect the Transformer Cord two prong connector with the Power Transformer receptacle. Make sure the connection is secured, with no gaps (FIGURE 3).
5. Choose a location for the chair that is close to an electrical outlet. Proceed to the Battery Backup Assembly Instructions.

⚠ WARNING - To reduce the risk of injury.

- Replace the power transformer batteries every six months and after each power failure use.

Battery Backup Assembly Instructions for Power Ease™ Recliners

The Battery Backup is located in the Power Transformer and uses two 9-volt alkaline batteries (not included).

1. Unplug the Power Transformer from the electrical outlet.
2. Remove the Phillips head screw from the battery cover plate on top of the Power Transformer. Push the tab in and lift to remove the cover plate.
3. Place the connection caps over the battery terminals on each battery. Place the batteries in the Power Transformer (FIGURE 4). Snap the battery cover plate into place and secure with the Phillips head screw removed in Step 2.
4. Proceed to the Power Ease™ Operating Instructions.

Power Ease™ Recliner Assembly Details:

FIGURE 1

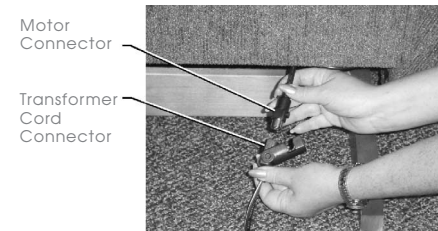


FIGURE 2

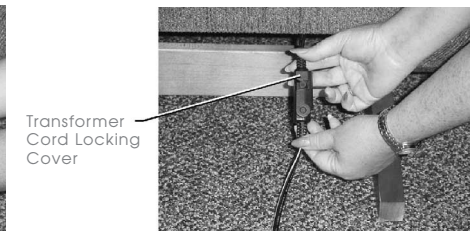


FIGURE 3

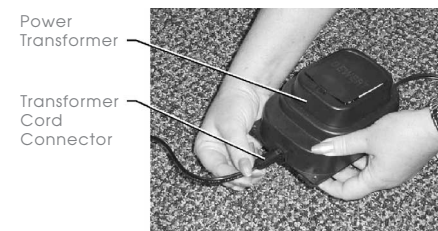
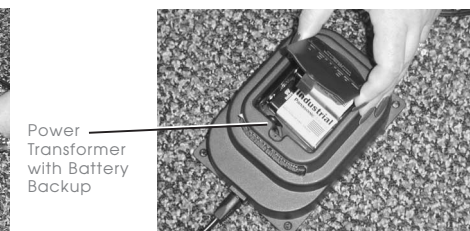


FIGURE 4



Power Ease™ Motion Sofa Assembly Instructions:

⚠ WARNING - To reduce the risk of injury.

- Do not operate the unit until the backs are installed and locked.

CAUTION: Do not plug the transformers in until instructed.

Assembly Instructions for Power Ease™ Motion Sofas

1. Locate the two Power Transformers and the two Transformer Cords.
 - The Power Transformers and the Transformer Cords are secured to the lower rear rail of the sofa. Carefully cut the cable ties and remove the Power Transformers and the Transformer Cords from the rear rail (FIGURE 1). Remove the packing and unwind the cords.
2. Install the backs. Proceed to Step 3 if your Power Ease™ Motion Sofa came with the backs attached.
 - If your sofa backs have upholstery cover attached to all sides of the back frame, follow the Back Assembly Instructions on pages 10-11.
 - If your sofa backs have a loose upholstery cover with fastening tape, follow the Back Assembly Instructions on pages 12-13.
3. Connect the Transformer Cords to the motors.
 - Locate the motor connectors behind the end sofa seats (FIGURE 2).
 - Connect each Transformer Cord connector with the motor connector. Push the connectors together until they are secured, with no gaps between them (FIGURE 2).
 - Rotate the Transformer Cord Locking Cover over this connection and snap in place (FIGURE 3).
4. Connect the Power Transformers to the Transformer Cords.
 - Connect the Transformer Cord two prong connector with the Power Transformer receptacle. Make sure the connection is secured, with no gaps (FIGURE 4).
 - Repeat to connect the remaining Power Transformer and Transformer Cord.
5. Choose a location for the sofa that is close to an electrical outlet. Proceed to the Battery Backup Assembly Instructions.

⚠ WARNING - To reduce the risk of injury.

- Replace the power transformer batteries every six months and after each power failure use.

Battery Backup Assembly Instructions for Power Ease™ Motion Sofas

The Battery Backup is located in the Power Transformers and uses two 9-volt alkaline batteries each (not included).

1. Unplug the Power Transformers from the electrical outlet.
2. Remove the Phillips head screw from the battery cover plate on top of the Power Transformer. Push the tab in and lift to remove the cover plate.
3. Place the connection caps over the battery terminals on each battery. Place the batteries in the Power Transformer (FIGURE 5). Snap the battery cover plate into place and secure with the Phillips head screw removed in Step 2.
4. Repeat above steps for remaining Power Transformer.
5. Proceed to the Power Ease™ Operating Instructions.

Power Ease™ Motion Sofa Assembly Details:

FIGURE 1

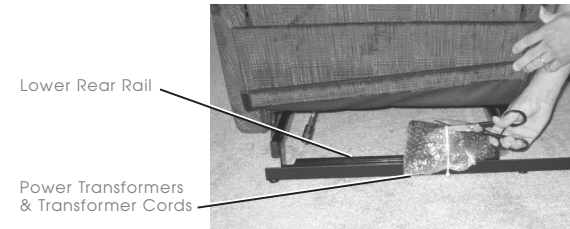


FIGURE 2

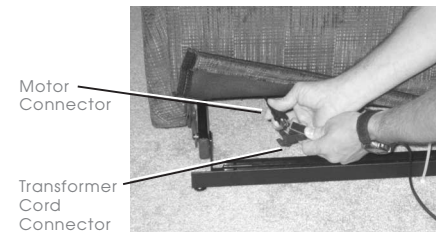


FIGURE 3

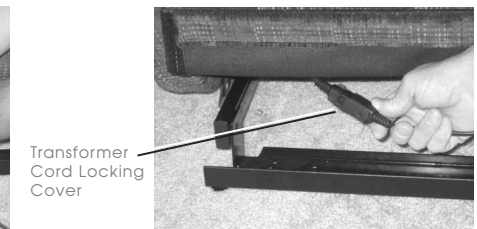


FIGURE 4

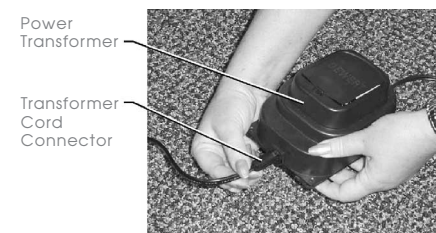


FIGURE 5



Power Ease™ Back Assembly Instructions:

The following Back Assembly Instructions are for chair or sofa backs having upholstery cover attached to all sides of the back frame. Refer to the instructions on the next page if your chair or sofa backs have a loose upholstery cover with fastening tape.

⚠ WARNING - To reduce the risk of injury.

- Do not operate the unit until the back(s) are installed and locked.

CAUTION: Do not plug the transformer(s) in until instructed.

Install the chair or motion sofa back(s)

1. Lay the back across the arms of the body. Lift the back at a slight angle and align the brackets on the back with the brackets on the body (FIGURE 1).
2. Lower the back onto the body, making sure the back and body brackets are completely engaged.
 - To make sure the back is properly installed with both sets of back and body brackets engaged, stand behind the chair and twist the back from side to side. If one or both sides move out of position the brackets are not engaged (FIGURE 2). Remove the back and repeat the steps above.
 - If you are unable to install the back properly contact your La-Z-Boy® dealer for assistance.
3. Lock the brackets using a slotted screwdriver to push down the locking levers; do this for each bracket (FIGURE 3). For proper operation the brackets must be locked down.
4. Repeat the above steps to install the remaining back(s) on a motion sofa unit.
5. Return to the Power Ease™ Recliner or Motion Sofa Assembly Instructions to finish assembly.

Power Ease™ Back Assembly Details:

FIGURE 1

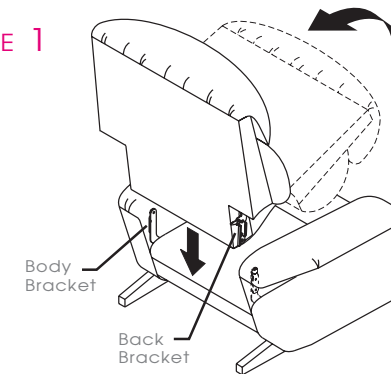
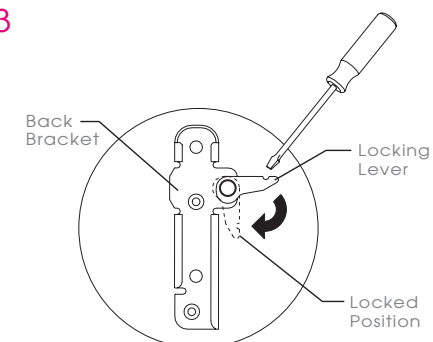


FIGURE 2



Back and body brackets on this side are not engaged. Remove the back and reinstall.

FIGURE 3



Power Ease™ Back Assembly Instructions:

The following Back Assembly Instructions are for chair or sofa backs having a loose upholstery cover with fastening tape. Refer to the instructions on the previous page if your chair or sofa backs have upholstery cover attached to all sides of the back frame.

⚠ WARNING - To reduce the risk of injury.

- Do not operate the unit until the back(s) are installed and locked.

⚠ CAUTION - To reduce the risk of minor injury.

- Once the back(s) are installed, the outside back upholstery cover(s) must be secured in place at all times.

CAUTION - Do not plug the transformer(s) in until instructed.

Install the chair or motion sofa back(s)

- Lay the back across the arms of the body. Lift the back at a slight angle and align the brackets on the back with the brackets on the body (FIGURE 1).
- Lower the back onto the body, making sure the back and body brackets are completely engaged.
 - To make sure the back is properly installed with both sets of back and body brackets engaged, stand behind the unit and twist the back from side to side. If one or both sides move out of position the brackets are not engaged (FIGURE 2). Remove the back and repeat the steps above.
 - If you are unable to install the back properly contact your La-Z-Boy® dealer for assistance.
- Lock the brackets using a slotted screwdriver to push down the locking levers; do this for each bracket (FIGURE 3). For proper operation the brackets must be locked down.
- Keeping hands away from the internal frame parts, attach the outside back upholstery cover to the body of the unit by pulling the back cover tight and pressing the fastening tape on the back upholstery cover to the fastening tape on the body (FIGURE 4).
- Repeat the above steps to install the remaining back(s) on a motion sofa unit.
- Return to the Power Ease™ Recliner or Motion Sofa Assembly Instructions to finish assembly.

Power Ease™ Back Assembly Details:

FIGURE 1

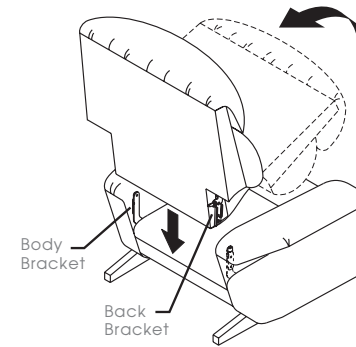


FIGURE 2



Back and body brackets on this side are not engaged. Remove the back and reinstall.

FIGURE 3

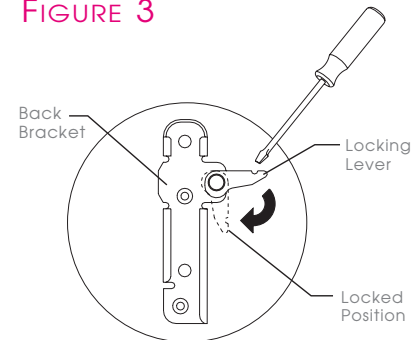
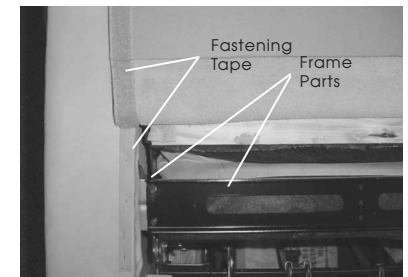


FIGURE 4



Power Ease™ Operating Instructions:

Review Important Safety Instructions at the front of this booklet before operating.

⚠ WARNING - To reduce the risk of serious injury.

- Sit down in the unit slowly. To avoid tip over, do not throw your weight against the back of the unit. Move the unit into or out of the reclining position slowly, making sure that no children or pets are in close proximity.
- To safely exit the unit and prevent a tripping hazard bring the back upright and close the legrest.
- Check condition of the power transformer, electrical cords, plug and connectors regularly. Keep the power transformer and electrical cords away from heat sources. Never operate the unit with a damaged power transformer, electrical cords, plug or connector. Contact your La-Z-Boy® dealer for service.
- Keep hands, arms and body parts away from the open area between a reclined back and an upright back on a motion sofa. This area must remain clear at all times to provide unobstructed movement and prevent injury that could occur when a reclined back is returning toward the upright position.

Operating Instructions for Power Ease™ Recliners and Motion Sofas

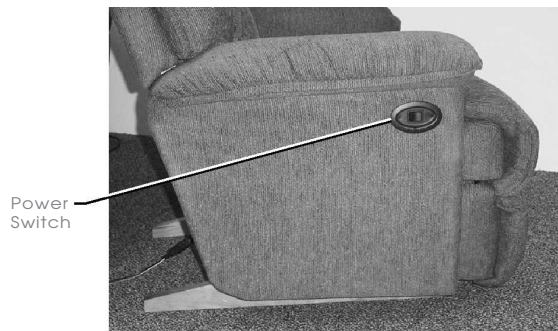
Plug in the Power Transformer(s). *Make sure there is enough slack in the cord running from the power unit to the outlet to allow for rocking and reclining. Never stretch or strain a cord.*

Power Ease™ Operation

The power legrest is operated by a Power Switch, located on the outside arm (FIGURE 1).

- To raise the legrest, push the front of the Power Switch down and hold. Release the switch when the legrest reaches the desired height.
- To lower the legrest, push the back of the Power Switch down and hold. Release the switch when the legrest reaches the desired height or is completely closed.

FIGURE 1



POWER EASE™ TRANSFORMER SPECIFICATIONS:

Input: AC 115V 60 Hz
Output: DC 24V 3.33A

Power Ease™ Troubleshooting:

⚠ WARNING - To reduce the risk of injury.

- Do not attempt to disassemble or service the pump or motor. No serviceable parts are inside. Contact your La-Z-Boy® dealer for service information.

Troubleshooting for Power Recliners and Motion Sofas

There are no user maintenance or repair requirements. If the power unit does not work:

1. Make sure the Power Transformer(s) are plugged into an electrical outlet.
2. Make sure the electrical outlet is working. For example, make sure there are no blown fuses or tripped circuit breakers.
3. Make sure all the connectors are secured; refer to the Assembly Instructions.
4. Make sure the electrical cords are not crimped or pinched. Make sure the electrical cord or plug is not damaged.

If the power unit still does not operate properly, contact your La-Z-Boy® dealer for instructions on returning the unit for examination and repair. Except for replacement of the Power Transformers, *never attempt to make any repairs or adjustments yourself.*

Power Transformer Replacement

If a Power Transformer must be replaced:

1. Unplug the Power Transformer(s) from the electrical outlet.
2. Locate the Power Transformer connection; refer to the Assembly Instructions. Gently pull the connectors apart to disengage.
3. Push the replacement Power Transformer connector into the mating connector; refer to the Assembly Instructions. *Make sure the connectors are secured with no gaps between them.*

Reclining Tension Adjustment Instructions:

⚠ WARNING - To reduce the risk of injury.

- This unit is equipped with a tension adjustment feature for the reclining mechanism that is preset at the factory. The tension setting can be changed for your personal preference. To avoid tip over and insure stability, do not operate the unit with the tension adjustment wing nuts completely loosened (see Reclining Tension Adjustment Instructions).

CAUTION - To reduce the risk of damage

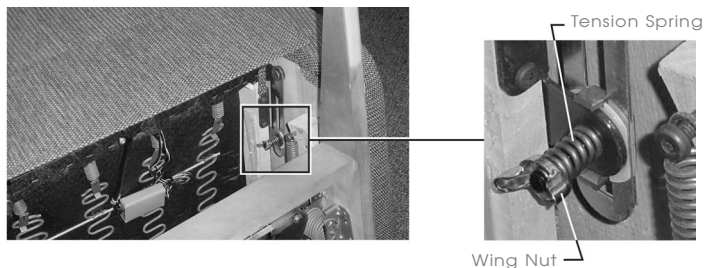
- Make sure the legrest on each unit is closed before tilting forward and adjusting the tension.
- Do not completely tighten the wing nuts. The tension springs should not be completely compressed after making adjustments. If this occurs, the wing nuts must be loosened a minimum of ½-turn to avoid damage to the spring tension assembly.
- Do not completely loosen the wing nuts. The spring should not slide on the bolt after making adjustments. If the spring slides on the bolt, tighten the wing nut clockwise a minimum of ½-turn after the spring no longer slides on the bolt.
- Adjust both wing nuts equally.

Reclining Tension Adjustment Instructions:

You can adjust the tension of the reclining mechanism to customize the reclining action for your personal preference and individual size.

1. Gently tilt the reclining chair or sofa forward to rest on its arms and top of the back. Locate the wing nuts, one on each side, toward the back of the recliner under each reclining seat (FIGURE 1 - only one side shown).
2. Adjust the tension by turning the wing nuts in ¼-turn increments until the desired setting is reached.
 - A taller or heavier person may choose to increase the reclining tension by tightening the wing nuts clockwise.
 - A smaller person may choose to decrease the reclining tension by loosening the wing nuts counterclockwise.
3. Return the reclining chair or sofa to the upright position. Test the new setting. Make additional adjustments if needed following these steps.

FIGURE 1



Reclining Sofa Glide Adjustment Instructions:

⚠ WARNING - To reduce the risk of injury.

- Provide a clear path for operation of the chair, sofa, back and legrest. Place tables and area rugs at a distance to allow the legrest to fully extend without rubbing or interference.

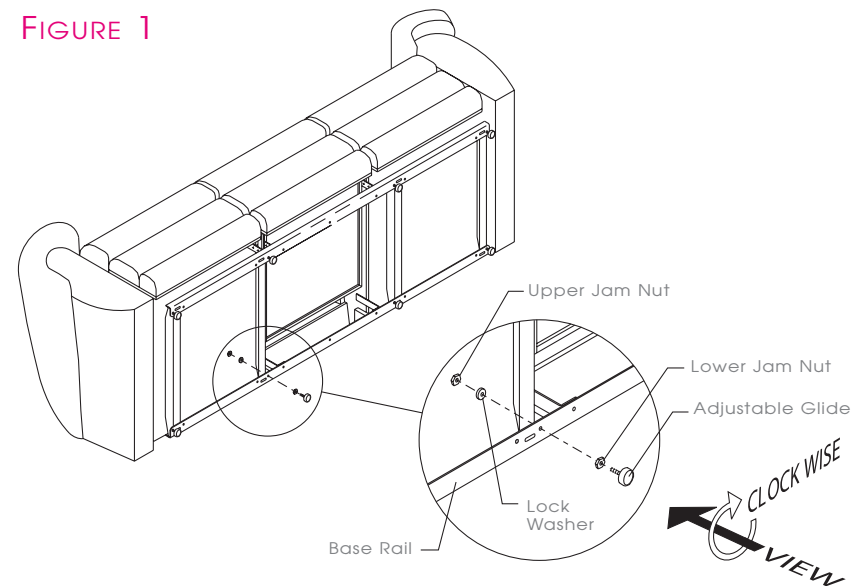
Glide Adjustment Instructions:

Make sure the glides are adjusted to a height that provides a clear path for operation of the legrest.

Each glide is attached to the base rail by one jam nut and one lock washer on top of the base rail and one jam nut on the bottom of the base rail (FIGURE 1).

1. To extend the glide, loosen the upper jam nut by rotating clockwise. Turn the lower jam nut clockwise to the desired height (FIGURE 1).
2. Tighten the upper jam nut by rotating counterclockwise (FIGURE 1).
3. Repeat steps one and two for each adjustable glide on the unit, if needed.
4. Repeat this procedure, as necessary, to level the sofa.

FIGURE 1



Furniture Placement Guide:

Notes:

⚠ WARNING - To reduce the risk of injury.

- Provide a clear path for operation of the chair, sofa, back and legrest. Place tables and area rugs at a distance to allow the legrest to fully extend without rubbing or interference.

Furniture Placement Guide:

To place your reclining unit the proper distance from the wall, fully recline the unit and leave a minimum of 2" of space between the top of the back and the wall (FIGURE 1).

Make sure tables and other items are at a safe distance to avoid interference with the operation of the legrest. Improper placement of a table could cause the occupant to become trapped in the seat (FIGURE 2). There must be enough clearance for the legrest to be fully extended before closing.

FIGURE 1



FIGURE 2



¡Felicitaciones!

Usted es ahora el feliz propietario de un sillón reclinable eléctrico o sofá móvil La-Z-Boy® de vanguardia.

Acaba de seleccionar uno de los productos tapizados de más alta calidad originados en la industria mobiliaria de Estados Unidos, con el respaldo de más de 75 años de excelencia en fabricación. En La-Z-Boy® estamos orgullosos de nuestros diseños y nuestro trabajo, y sabemos que usted sentirá lo mismo cuando comience a disfrutar del confort y el estilo de su nuevo mobiliario.

IMPORTANTE

Lea todas las instrucciones, incluyendo las de seguridad, antes de utilizar su sillón reclinable o sofá móvil Power Ease™. Guarde este manual para futura referencia.

Tabla de contenidos

Instrucciones de seguridad importantes.....	22-23
Instrucciones de armado del sillón reclinable Power Ease™	24-25
Instrucciones de armado del sofá móvil Power Ease™	26-27
Instrucciones de armado del respaldo Power Ease™	28-31
Instrucciones de operación de Power Ease™	32
Solución de problemas de Power Ease™	33
Instrucciones de ajuste de la tensión de reclinación	34
Instrucciones de ajuste de los tornillos niveladores del sofá reclinable	35
Guía para la ubicación del mobiliario	36
Notas	37

Instrucciones de seguridad importantes:

Importante: Lea atentamente estas instrucciones antes de utilizar el producto.

⚠ PELIGRO - Para reducir el riesgo de choque eléctrico o lesiones serias:

- Desconecte el enchufe eléctrico del tomacorriente antes de limpiar, mover o hacer un servicio al sillón, o cuando éste no se use por un período prolongado.
- No utilice este producto si el mismo está húmedo, en el agua, o cerca de ésta u otro líquido.

⚠ ADVERTENCIA - Para reducir el riesgo de quemaduras, incendio, choque eléctrico o lesiones graves:

- Siempre mantenga las llamas abiertas y los cigarrillos encendidos lejos del mobiliario tapizado, ya que éste puede arder rápidamente, produciendo gas tóxico y humo espeso.
- Supervise de cerca a los niños y a las personas discapacitadas cuando utilice este producto.
- Siéntese en la unidad lentamente. Para evitar que ésta se tumbe, no arroje supeso contra el respaldo. Recline o enderece la unidad lentamente, asegurándose de que no haya niños ni mascotas cerca.
- Este producto tiene muchas partes móviles que pueden causar lesiones serias si no se utilizan correctamente. Mantenga a los niños y a las mascotas lejos del mecanismo, como así también las manos, dedos y demás partes del cuerpo.
- Sólo el ocupante debe operar la unidad. Nunca trate de abrir el apoyapiernas jalándolo.
- No se pare, no se siente ni coloque peso adicional sobre los apoyabrazos, el respaldo o el apoyapiernas abierto.
- Para salir de la unidad sin problemas y evitar el riesgo de que ésta se tumbe, enderece el respaldo y cierre el apoyapiernas.
- Si el producto está dañado, no lo use. No utilice accesorios ni componentes sustitutos.
- Este producto es sólo para uso residencial en interiores.
- Deje un espacio libre para el funcionamiento del respaldo y el apoyapiernas del sillón. Coloque las mesas y alfombras sueltas a distancia para poder extender completamente el apoyapiernas sin roces ni interferencias.
- Verifique regularmente el estado del transformador de energía, el cordón eléctrico, el enchufe y los conectores. Mantenga el transformador de energía y los cordones eléctricos lejos de las fuentes de calor. Nunca ponga la unidad en funcionamiento si tiene el transformador de energía, un cordón eléctrico, un enchufe o un conector dañado. Comuníquese con el representante de La-Z-Boy® para realizar un servicio a la unidad.
- No use la unidad si el control de encendido está dañado o húmedo. No use la unidad si la varilla de comando ha caído al agua u otro líquido. Comuníquese con el representante de La-Z-Boy® para realizar un servicio.
- Este producto no fue diseñado como dispositivo de asistencia médica.
- Quienes utilicen dispositivos médicos, deben consultar a su profesional de la salud antes de usar este producto. No lo utilice si sufre de mala circulación, está inmobilizado o es insensible al calor, salvo que así se lo indique su profesional de la salud.
- No utilice este producto donde se usen productos en aerosol (en atomizador) ni donde se administre oxígeno.

Guarde estas instrucciones

Instrucciones de seguridad importantes:

Importante: Lea atentamente estas instrucciones antes de utilizar el producto.

⚠ ADVERTENCIA - Para reducir el riesgo de quemaduras, incendio, choque eléctrico o lesiones graves:

- Reemplace las baterías del transformador de energía cada seis meses y después de usarlas durante un corte de energía.
- No opere la unidad hasta que el respaldo esté instalado y fijo.
- Tenga cuidado al mover el producto. Antes de levantarlo, asegure el mecanismo para evitar que se abra o se mueva inesperadamente. Nunca mueva el producto jalándolo del mecanismo, el apoyapiernas, la manija, el respaldo reclinable o la base giratoria. Desconecte las unidades modulares. Agarre el sillón firmemente sólo de las partes no móviles.
- No trate de desarmar o hacer un servicio a la bomba o al motor. Estos no contienen piezas que se puedan reparar. Comuníquese con el representante de La-Z-Boy® para obtener información sobre el servicio.
- Esta unidad está equipada con una función de ajuste de tensión para el mecanismo reclinable, la cual viene preajustada de fábrica pero puede cambiarse según su preferencia personal. Para evitar que la unidad se tumbe y asegurar su estabilidad, no la opere cuando las tuercas mariposa de ajuste de tensión estén completamente flojas (vea las Instrucciones de ajuste de la tensión de reclinación).
- Mantenga las manos, brazos y demás partes del cuerpo lejos del área abierta entre las posiciones reclinada y recta del respaldo en un sofá móvil. Esta área debe permanecer siempre despejada para no obstruir el movimiento del sillón y para evitar posibles lesiones al ocupante cuando el respaldo reclinado vuelve a la posición recta.

Guarde estas instrucciones

Sillón reclinable Power Ease™ Instrucciones de armado:

⚠ ADVERTENCIA - Para reducir el riesgo de lesiones.

- No opere la unidad hasta que el respaldo esté instalado y fijo.

PRECAUCIÓN: No enchufe el transformador hasta que se le indique.

Instrucciones de armado para los sillones reclinables Power Ease™

1. Localice el transformador de energía y el cordón del transformador.
 - El transformador de energía y el cordón del transformador están sujetos a la parte superior del bastidor posterior del asiento. Corte cuidadosamente el o los amarres del cable y extraiga el transformador de energía y el cordón del transformador del bastidor del asiento. Quite el embalaje y desenrolle los cordones.
2. Instale el respaldo.
 - Si el respaldo de su sillón tiene una funda del tapizado unida a todos los laterales del bastidor posterior, siga las Instrucciones de armado del respaldo en las páginas 10-11.
 - Si el respaldo de su sillón tiene una funda del tapizado suelta con cinta de sujeción, siga las Instrucciones de armado del respaldo en las páginas 12-13.
3. Conecte el cordón del transformador al motor.
 - Localice el conector del motor en la parte posterior del sillón, del lado inferior derecho del asiento (FIGURA 1).
 - Conecte el cordón del transformador al conector del motor. Acople los conectores hasta que queden firmes y sin espacios entre sí (FIGURA 1).
 - Gire la cubierta de traba del cordón del transformador sobre esta conexión y encájela a presión en su lugar (FIGURA 2).
4. Conecte el transformador de energía al cordón del transformador.
 - Conecte el conector de doble clavija del cordón del transformador al receptáculo del transformador de energía. Cerciérese de que la conexión quede firme y sin espacios (FIGURA 3).
5. Elija una ubicación para el sillón cerca de un tomacorriente. Proceda a las Instrucciones de armado de las baterías de reserva.

⚠ ADVERTENCIA - Para reducir el riesgo de lesiones.

- Reemplace las baterías del transformador de energía cada seis meses y después de usarlas durante un corte de energía.

Instrucciones de armado de las baterías de reserva para los sillones reclinables Power Ease™

Las baterías de reserva están ubicadas en el transformador de energía; son dos baterías alcalinas de 9 voltios (no incluidas).

1. Desenchufe el transformador de energía del tomacorriente.
2. Quite el tornillo de cabeza Phillips de la placa de la cubierta protectora de las baterías, en la parte superior del transformador de energía. Empuje la lengüeta hacia dentro y levante la placa de la cubierta protectora para extraerla.
3. Coloque las tapas de conexión sobre los terminales de cada batería. Coloque las baterías en el transformador de energía (FIGURA 4). Encaje la placa de la cubierta protectora de las baterías en posición y fíjela con el tornillo de cabeza Phillips extraído en el paso 2.
4. Proceda a las Instrucciones de operación de Power Ease™.

Sillón reclinable Power Ease™ Detalles de armado:

FIGURA 1

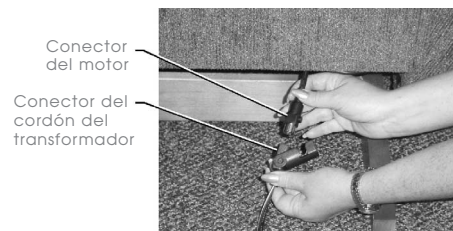


FIGURA 2

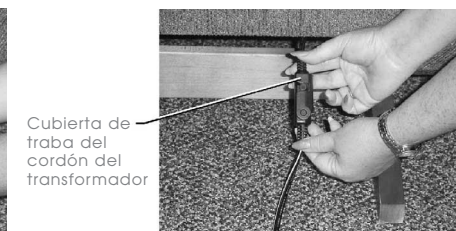


FIGURA 3

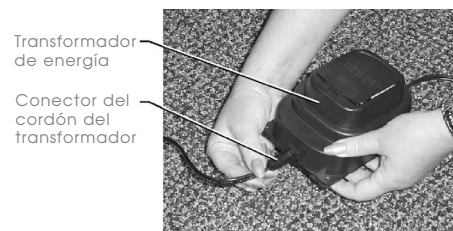


FIGURA 4



Sofá móvil Power Ease™

Instrucciones de armado:

⚠ ADVERTENCIA - Para reducir el riesgo de lesiones.

- No opere la unidad hasta que los respaldos estén instalados y fijos.

PRECAUCIÓN: No enchufe los transformadores hasta que se le indique.

Instrucciones de armado para los sofás móviles Power Ease™

1. Localice los dos transformadores de energía y los dos cordones de los transformadores.
 - Los transformadores de energía y los cordones de los mismos están asegurados al travesaño posterior inferior del sofá. Corte cuidadosamente los amarres de los cables y extraiga los transformadores de energía y los cordones de los transformadores del travesaño posterior inferior (FIGURA 1). Quite el embalaje y desenrolle los cordones.
2. Instale los respaldos. Si su sofá móvil Power Ease™ venía con los respaldos instalados, proceda al paso 3.
 - Si los respaldos de su sofá tienen una funda del tapizado unida a todos los laterales del bastidor posterior, siga las Instrucciones de armado del respaldo en las páginas 10-11.
 - Si los respaldos de su sofá tienen una funda del tapizado suelta concinta de sujeción, siga las Instrucciones de armado del respaldo en las páginas 12-13.
3. Conecte los cordones de los transformadores a los motores.
 - Localice los conectores de los motores detrás de los asientos de los extremos del sofá (FIGURA 2).
 - Conecte cada cordón del transformador al conector del motor. Acople los conectores hasta que queden firmes y sin espacios entre sí (FIGURA 2).
 - Gire la cubierta de traba del cordón del transformador sobre esta conexión y encájela a presión en su lugar (FIGURA 3).
4. Conecte los transformadores de energía a los cordones de los transformadores.
 - Conecte el conector de doble clavija del cordón del transformador al receptáculo del transformador de energía. Cerciórese de que la conexión quede firme y sin espacios (FIGURA 4).
 - Repita lo mismo para conectar el otro transformador de energía y cordón del transformador.
5. Elija una ubicación para el sofá cerca de un tomacorriente. Proceda a las Instrucciones de armado de las baterías de reserva.

⚠ ADVERTENCIA - Para reducir el riesgo de lesiones.

- Reemplace las baterías del transformador de energía cada seis meses y después de usarlas durante un corte de energía.

Instrucciones de armado de las baterías de reserva para los sofás móviles Power Ease™

Las baterías de reserva están ubicadas en los transformadores de energía; son dos baterías alcalinas de 9 voltios cada una (no incluidas).

1. Desenchufe los transformadores de energía del tomacorriente.
2. Quite el tornillo de cabeza Phillips de la placa de la cubierta protectora de las baterías, en la parte superior del transformador de energía. Empuje la lengüeta hacia dentro y levante la placa de la cubierta protectora para extraerla.
3. Coloque las tapas de conexión sobre los terminales de cada batería. Coloque las baterías en el transformador de energía (FIGURA 5). Encaje la placa de la cubierta protectora de las baterías en posición y fijela con el tornillo de cabeza Phillips extraído en el paso 2.
4. Repita los pasos anteriores para el otro transformador de energía.
5. Proceda a las Instrucciones de operación de Power Ease™.

Sofá móvil Power Ease™

Detalles de armado:

FIGURA 1

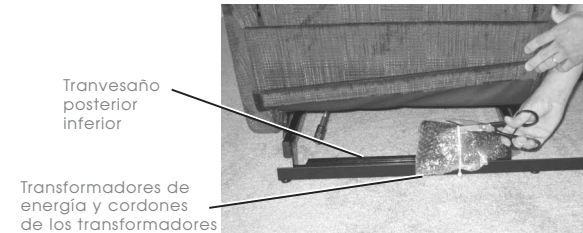


FIGURA 2

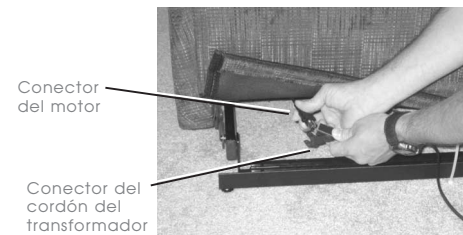


FIGURA 3

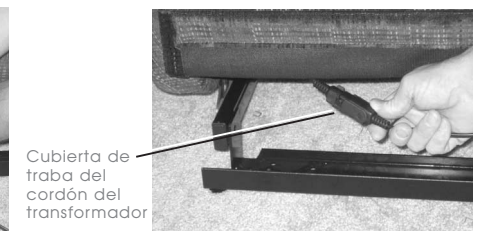


FIGURE 4

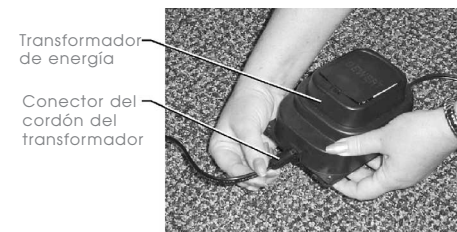


FIGURE 5



Instrucciones de armado del respaldo de Power Ease™:

Las siguientes Instrucciones de armado del respaldo son para los respaldos de sillón o de sofá que tienen una funda del tapizado unida a todos los laterales del bastidor posterior. Si los respaldos de su sillón o sofá tienen una funda del tapizado suelta con cinta de sujeción, remítase a las instrucciones de la página siguiente.

⚠ ADVERTENCIA - Para reducir el riesgo de lesiones.

- No opere la unidad hasta que el o los respaldos estén instalados y fijos.

PRECAUCIÓN: No enchufe el o los transformadores hasta que se le indique.

Instale el o los respaldos del sillón o sofá móvil

1. Coloque el respaldo atravesado sobre los apoyabrazos del cuerpo. Levante el respaldo a un pequeño ángulo y alinee las ménsulas del mismo con las ménsulas del cuerpo (FIGURA 1).
2. Baje el respaldo sobre el cuerpo, asegurándose de que las ménsulas se enganchen completamente.
 - Para asegurarse de que el respaldo esté correctamente instalado con ambos juegos de ménsulas (del respaldo y del cuerpo) acopladas, párese detrás del sillón y mueva el respaldo de lado a lado. Si uno o ambos laterales se salen de su posición es porque las ménsulas no están acopladas (FIGURA 2). Quite el respaldo y repita los pasos anteriores.
 - Si no logra instalar correctamente el respaldo, comuníquese con el representante de La-Z-Boy® para solicitar ayuda.
3. Fije las ménsulas utilizando un destornillador ranurado para empujar hacia abajo las palancas de inmovilización; haga esto con cada ménsula (FIGURA 3). Para un funcionamiento correcto, las ménsulas deben trabarse hacia abajo.
4. Repita los pasos anteriores para instalar el o los respaldos restantes en una unidad de sofá móvil.
5. Vuelva a las Instrucciones de armado del sillón reclinable o sofá móvil Power Ease™ para completar el armado.

Detalles de armado del respaldo de Power Ease™:

FIGURA 1

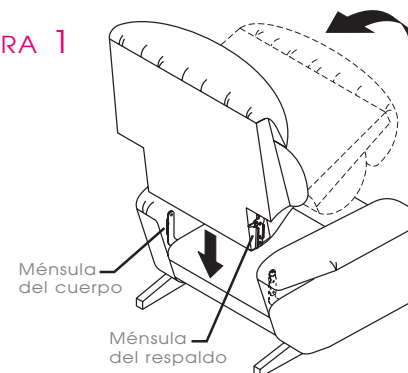
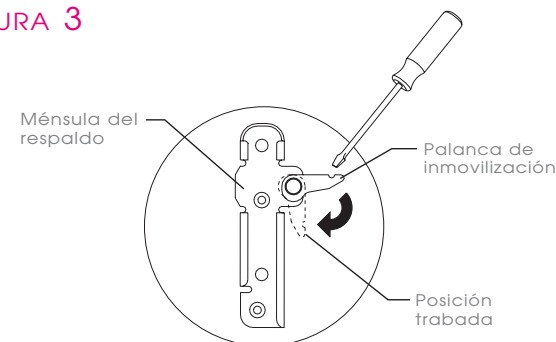


FIGURA 2



Las ménsulas del respaldo y del cuerpo de este lado no están acopladas. Quite el respaldo y vuelva a instalarlo.

FIGURA 3



Instrucciones de armado del respaldo de Power Ease™:

Las Instrucciones de armado del respaldo a continuación son para los respaldos de sillón o sofá que tienen una funda del tapizado suelta con cinta de sujeción. Si los respaldos de su sillón o sofá tienen una funda del tapizado unida a todos los laterales del bastidor posterior, remítase a las instrucciones de la página anterior.

⚠ ADVERTENCIA - Para reducir el riesgo de lesiones.

- No opere la unidad hasta que el o los respaldos estén instalados y fijos.

⚠ PRECAUCIÓN - Para reducir el riesgo de lesiones leves.

- Una vez instalados los respaldos, las fundas externas del tapizado de los mismos deben estar siempre fijas en su lugar.

PRECAUCIÓN - No enchufe el o los transformadores hasta que se le indique.

Instale el o los respaldos del sillón o sofá móvil

1. Coloque el respaldo atravesado sobre los apoyabrazos del cuerpo. Levante el respaldo a un pequeño ángulo y alinee las ménsulas del mismo con las ménsulas del cuerpo (FIGURA 1).
2. Baje el respaldo sobre el cuerpo, asegurándose de que las ménsulas se enganchen completamente.
 - Para asegurarse de que el respaldo esté correctamente instalado con ambos juegos de ménsulas (del respaldo y del cuerpo) acopladas, párese detrás de la unidad y mueva el respaldo de lado a lado. Si uno o ambos laterales se salen de su posición es porque las ménsulas no están acopladas (FIGURA 2). Quite el respaldo y repita los pasos anteriores.
 - Si no logra instalar correctamente el respaldo, comuníquese con el representante de La-Z-Boy® para solicitar ayuda.
3. Fije las ménsulas utilizando un destornillador ranurado para empujar hacia abajo las palancas de inmovilización; haga esto con cada ménsula (FIGURA 3). Para un funcionamiento correcto, las ménsulas deben trabarse hacia abajo.
4. Manteniendo las manos lejos de las piezas internas del bastidor, sujete la funda externa del tapizado del respaldo al cuerpo de la unidad jalándola hasta que quede tirante y presionando la cinta de sujeción en la funda del tapizado del respaldo a la cinta de sujeción del cuerpo de la unidad (FIGURA 4).
5. Repita los pasos anteriores para instalar el o los respaldos restantes de una unidad de sofá móvil.
6. Vuelva a las Instrucciones de armado del sillón reclinable o sofá móvil Power Ease™ para completar el armado.

Detalles de armado del respaldo de Power Ease™:

FIGURA 1

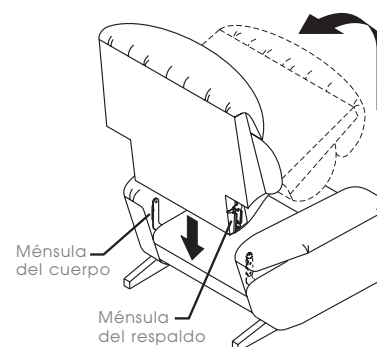


FIGURA 2



Las ménsulas del respaldo y del cuerpo de este lado no están acopladas. Quite el respaldo y vuelva a instalarlo.

FIGURA 3

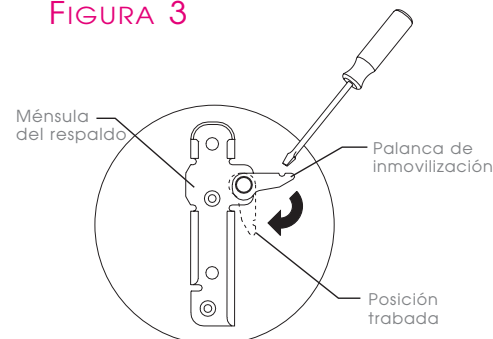
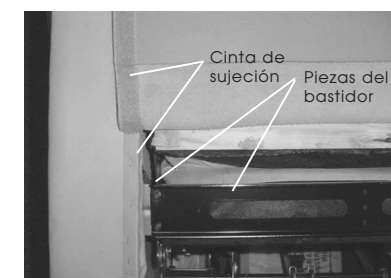


FIGURA 4



Instrucciones de operación de Power Ease™:

Antes de operar la unidad, revise las Instrucciones de seguridad importantes, al comienzo de este folleto.

⚠ ADVERTENCIA - Para reducir el riesgo de lesiones graves.

- Siéntese en la unidad lentamente. Para evitar que ésta se tumbe, no arroje su peso contra el respaldo. Recline o enderece la unidad lentamente, asegurándose de que no haya niños ni mascotas cerca.
- Para salir de la unidad sin problemas y evitar el riesgo de que ésta se tumbe, enderece el respaldo y cierre el apoyapiernas.
- Verifique regularmente el estado del transformador de energía, los cordones eléctricos, el enchufe y los conectores. Mantenga el transformador de energía y los cordones eléctricos lejos de las fuentes de calor. Nunca ponga la unidad en funcionamiento si tiene el transformador de energía, un cordón eléctrico, un enchufe o un conector dañado. Comuníquese con el representante de La-Z-Boy® para realizar un servicio a la unidad.
- Mantenga las manos, brazos y demás partes del cuerpo lejos del área abierta entre las posiciones reclinada y recta del respaldo en un sofá móvil. Esta área debe permanecer siempre despejada para no obstruir el movimiento del sillón y para evitar posibles lesiones al ocupante cuando el respaldo reclinado vuelve a la posición recta.

Instrucciones de operación para los sillones reclinables y sofás móviles Power Ease™

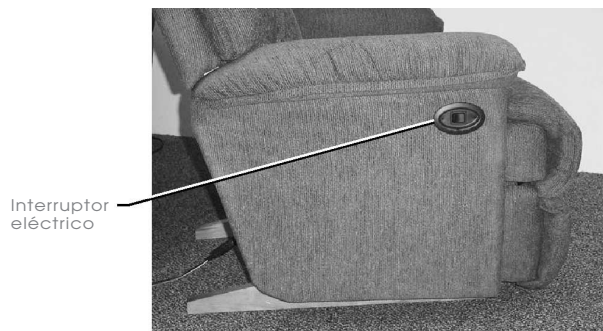
Enchufe el o los transformadores de energía. Asegúrese de que el cordón que va de la unidad al tomacorriente esté lo suficientemente flojo como para permitir que la unidad se meza y se recline. Nunca tense ni someta un cordón a esfuerzo.

Operación de Power Ease™

El apoyapiernas eléctrico se opera mediante un interruptor eléctrico ubicado en la parte externa del apoyabrazos (FIGURA 1).

- Para elevarlo, presione y sostenga el frente del interruptor eléctrico. Cuando el apoyapiernas alcance la altura deseada, suelte el interruptor.
- Para bajarlo, presione y sostenga la parte posterior del interruptor eléctrico. Cuando el apoyapiernas alcance la altura deseada o se haya cerrado completamente, suelte el interruptor.

FIGURA 1



ESPECIFICACIONES DEL TRANSFORMADOR DE POWER EASE™:

Entrada: 115 V CA 60 Hz
Salida: 24 V CC 3,33 A

Solución de problemas de Power Ease™:

⚠ ADVERTENCIA - Para reducir el riesgo de lesiones.

- No trate de desarmar o hacer un servicio a la bomba o al motor. Estos no contienen piezas que se puedan reparar. Comuníquese con el representante de La-Z-Boy® para obtener información sobre el servicio.

Solución de problemas para los sillones reclinables eléctricos y sofás móviles

No existen requisitos para el usuario en cuanto al mantenimiento ni a la reparación. Si la unidad eléctrica no funciona:

1. Asegúrese de que el o los transformadores de energía estén enchufados a un tomacorriente.
2. Cerciórese de que el tomacorriente funcione. Por ejemplo, que no haya fusibles quemados o que no se haya disparado un cortacircuitos.
3. Asegúrese de que todos los conectores estén firmes; remítase a las Instrucciones de armado.
4. Asegúrese de que los cordones eléctricos no estén retorcidos ni pellizcados y que ni éstos ni el enchufe estén dañados.

Si aún así la unidad eléctrica no funciona correctamente, comuníquese con el representante de La-Z-Boy® para obtener instrucciones sobre cómo devolver la unidad para su examen y reparación. A excepción del reemplazo de los transformadores de energía, nunca intente realizar otras reparaciones o ajustes usted mismo.

Reemplazo del transformador de energía

Si se debe reemplazar un transformador de energía:

1. Desenchufe el transformador de energía del tomacorriente.
2. Localice la conexión del transformador de energía; remítase a las Instrucciones de armado. Jale suavemente los conectores para desconectarlos.
3. Empuje el conector del transformador de energía de reemplazo en el conector complementario; remítase a las Instrucciones de armado. Asegúrese de que los conectores queden firmes y sin espacios entre sí.

Tensión de inclinación Instrucciones de ajuste:

⚠ ADVERTENCIA – Para reducir el riesgo de lesiones.

- Esta unidad está equipada con una función de ajuste de tensión para el mecanismo reclinable, la cual viene preajustada de fábrica pero puede cambiarse según su preferencia personal. Para evitar que la unidad se tumbe y asegurar su estabilidad, no la opere cuando las tuercas mariposa de ajuste de tensión estén completamente flojas (vea las Instrucciones de ajuste de la tensión de inclinación).

PRECAUCIÓN – Para reducir el riesgo de daños

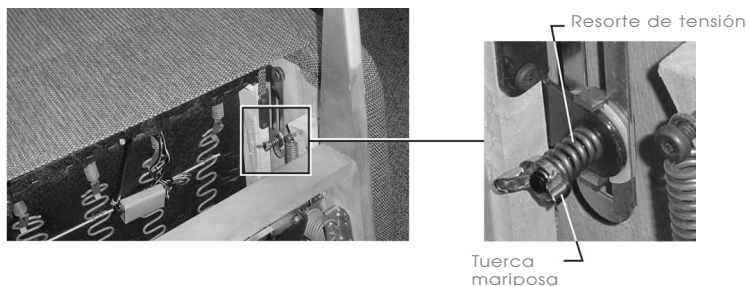
- Asegúrese de que el apoyapiernas de cada unidad esté cerrado antes de inclinarlas hacia adelante para ajustar la tensión.
- No apriete completamente las tuercas mariposa. Los resortes de tensión no deben comprimirse completamente después de realizar ajustes. Si esto ocurriera, las tuercas mariposa deben aflojarse un mínimo de $\frac{1}{2}$ vuelta para evitar que se dañe el mecanismo de tensión a resorte.
- No afloje completamente las tuercas mariposa. El resorte no debe deslizarse sobre el perno después de hacer los ajustes. Si esto ocurriera, apriete la tuerca mariposa girándola en sentido horario un mínimo de $\frac{1}{2}$ vuelta una vez que el resorte ya no se deslice sobre el perno.
- Ajuste ambas tuercas mariposa por igual.

Instrucciones de ajuste de la tensión de inclinación:

Puede ajustar la tensión del mecanismo reclinable para personalizar la acción de inclinación según su preferencia y el tamaño de su cuerpo.

1. Inclíne suavemente el sillón o el sofá reclinable hacia adelante para que descanse sobre los apoyabrazos y la parte superior del respaldo. Localice las tuercas mariposa, una a cada lado, ubicadas hacia la parte posterior del sillón reclinable, debajo de cada asiento reclinable (FIGURA 1 - sólo se muestra un lado).
2. Ajuste la tensión girando las tuercas mariposa en aumentos de $\frac{1}{4}$ de vuelta hasta alcanzar el ajuste deseado.
 - Una persona más alta o más pesada puede elegir aumentar la tensión de inclinación apretando las tuercas mariposa en sentido horario.
 - Una persona de contextura más pequeña puede elegir disminuir la tensión de inclinación aflojando las tuercas mariposa en sentido contrario.
3. Vuelva a colocar el sillón o sofá reclinable en posición vertical. Pruebe el ajuste nuevo. Si es necesario realizar más ajustes, siga estos pasos.

FIGURA 1



Instrucciones de ajuste de los tornillos niveladores del sofá reclinable:

⚠ ADVERTENCIA – Para reducir el riesgo de lesiones.

- Deje un espacio libre para el funcionamiento del respaldo y el apoyapiernas del sillón o sofá. Coloque las mesas y alfombras sueltas a distancia para poder extender completamente el apoyapiernas sin roces ni interferencias.

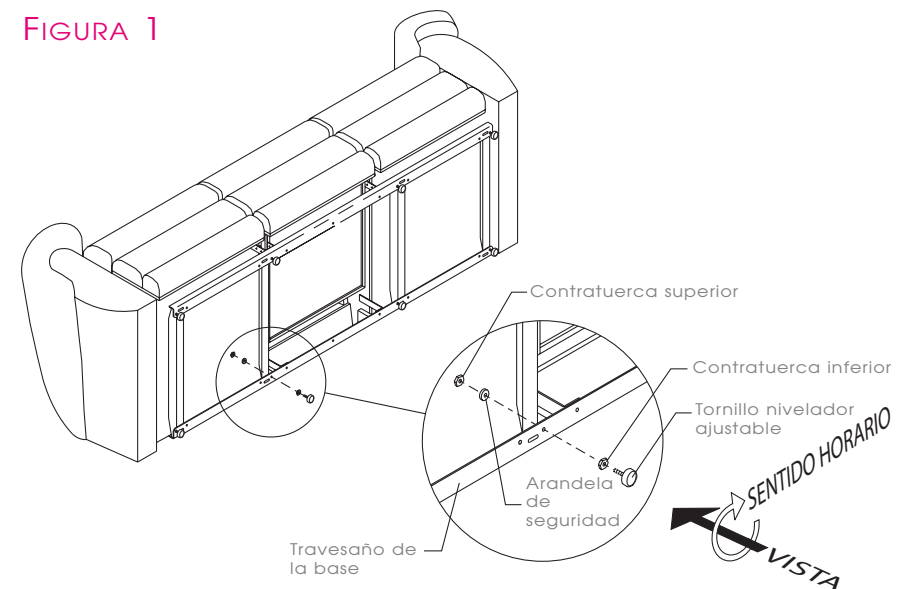
Instrucciones de ajuste de los tornillos niveladores:

Asegúrese de que los tornillos niveladores se ajusten a una altura que deje un espacio libre para la operación del apoyapiernas.

Cada tornillo nivelador está sujeto al travesaño de la base por una contratuerca y una arandela de seguridad encima del travesaño de la base, y una contratuerca en la parte inferior de dicho travesaño (FIGURA 1).

1. Para extender el tornillo nivelador, afloje la contratuerca superior girándola en sentido horario. Gire la contratuerca inferior en sentido horario hasta la altura deseada (FIGURA 1).
2. Apriete la contratuerca superior girándola en sentido contrario (FIGURA 1).
3. Repita los pasos uno y dos para cada tornillo nivelador ajustable de la unidad, si es necesario.
4. Repita este procedimiento según sea necesario para nivelar el sofá.

FIGURA 1



Guía para la ubicación del mobiliario:

Notas:

⚠ ADVERTENCIA - Para reducir el riesgo de lesiones.

- Deje un espacio libre para el funcionamiento del respaldo y el apoyapiernas del sillón o sofá. Coloque las mesas y alfombras sueltas a distancia para poder extender completamente el apoyapiernas sin roces ni interferencias.

Guía para la ubicación del mobiliario:

Para colocar la unidad reclinable a una distancia adecuada de la pared, reclínala completamente dejando un mínimo de 5 cm (2") de espacio entre la parte superior del respaldo y la pared (FIGURA 1).

Asegúrese de que las mesas y demás elementos estén a una distancia segura para evitar interferencias con el funcionamiento del apoyapiernas. La ubicación inadecuada de una mesa podría hacer que el ocupante del sillón quede atrapado en éste (FIGURA 2). Debe haber suficiente espacio libre para poder extender completamente el apoyapiernas antes de cerrarlo.

FIGURA 1



FIGURA 2



Félicitations!

Vous êtes désormais propriétaire
d'un fauteuil ou canapé inclinable
ÉlectroPlus de pointe signé La-Z-Boy^{MD}

Vous venez d'acheter un des mobiliers
rembourrés les plus perfectionnés
de l'industrie du meuble en Amérique du
Nord, fruit de plus de 75 ans d'expérience
dans la fabrication de meubles de qualité.

La-Z-Boy^{MD} est fière de sa gamme de
produits et de son savoir-faire. Nous savons
que vous ressentirez la même fierté quand
vous profiterez du confort et de l'allure
de votre nouveau mobilier.

IMPORTANT

**Bien lire toutes les instructions avant d'utiliser
votre fauteuil ou canapé inclinable ÉlectroPlus
Power Ease^{MC}. À conserver pour usage ultérieur.**

Table des matières

Règles de sécurité importantes	40-41
Montage du fauteuil inclinable Power Ease ^{MC}	42-43
Montage du canapé inclinable Power Ease ^{MC}	44-45
Montage du dossier Power Ease ^{MC}	46-49
Fonctionnement du mécanisme Power Ease ^{MC}	50
Dépannage du mécanisme Power Ease ^{MC}	51
Réglage de la tension d'inclinaison.....	52
Réglage du glissement du canapé inclinable.....	53
Comment disposer vos meubles.....	54
Notes.....	55

Règles de sécurité importantes

Important : bien lire les instructions avant l'utilisation.

DANGER – Pour réduire le risque de choc électrique ou de blessures graves :

- Toujours débrancher ce produit de la prise électrique avant de le nettoyer, de le déplacer, d'en effectuer le service ou quand il n'est pas utilisé pendant une période prolongée.
- Ne pas utiliser ce produit s'il est mouillé, dans l'eau ou près de l'eau ou de tout autre liquide.

ATTENTION – Pour réduire les risques de brûlure, d'incendie, de choc électrique ou de blessures :

- Garder vos meubles rembourrés loin des flammes ou des cigarettes allumées. Ils peuvent brûler rapidement en présence de gaz toxique et de fumée épaisse.
- Une supervision étroite est nécessaire quand ce produit est utilisé par des enfants ou des personnes handicapées.
- Vous asseoir lentement sur le meuble. Pour éviter qu'il bascule, ne pas lancer votre poids contre le dossier. Y aller lentement quand vous vous inclinez ou remettez en position verticale, et vous assurer qu'il n'y a pas d'enfant ou d'animal de compagnie à proximité.
- Ce produit compte plusieurs pièces mobiles et peut causer des blessures graves s'il n'est pas utilisé correctement. Ne jamais laisser les enfants ou les animaux de compagnie toucher au mécanisme. Garder les mains, les doigts et toute autre partie du corps loin du mécanisme.
- Seul l'occupant doit faire fonctionner le meuble. Ne jamais tenter d'ouvrir le repose-pieds en tirant dessus.
- Ne jamais se tenir debout, s'asseoir ou mettre un poids excessif sur les bras, le dossier ou le repose-pieds ouvert.
- Pour sortir du meuble en toute sécurité et pour éviter le risque de chute, remettre le dossier en position verticale et refermer le repose-pieds.
- Ne pas utiliser ce produit s'il est endommagé. Ne pas utiliser d'accessoires ou d'éléments substitués.
- Ce produit est exclusivement réservé à un usage résidentiel intérieur.
- Prévoir un parcours sans obstructions pour faire fonctionner le fauteuil, le dossier et le repose-pieds. Placer les tables et les carpettes assez loin pour que le repose-pieds puisse s'ouvrir complètement sans frottement et sans obstruction.
- Vérifier régulièrement l'état du transformateur électrique, des cordons d'alimentation, de la prise et des connecteurs. Garder le transformateur électrique et les cordons d'alimentation loin des sources de chaleur. Ne jamais faire fonctionner le meuble si le transformateur électrique, le cordon d'alimentation, la prise ou un connecteur est endommagé. Communiquer avec votre détaillant La-Z-Boy^{MD} pour le service.
- Ne pas utiliser le meuble si la commande électrique est endommagée ou mouillée. Ne pas utiliser le meuble si la commande manuelle est tombée dans l'eau ou dans tout autre liquide. Communiquer avec votre détaillant La-Z-Boy^{MD} pour le service.
- Ce produit n'est pas conçu pour être utilisé comme dispositif de soins de santé.
- Les personnes qui utilisent des dispositifs médicaux doivent communiquer avec leur fournisseur de soins de santé avant d'utiliser ce produit. Ne pas utiliser ce produit si vous avez une mauvaise circulation, si vous êtes immobile ou si vous ne pouvez ressentir la chaleur, sauf sur les conseils de votre professionnel de la santé.
- Ne pas utiliser ce produit dans des endroits où l'on utilise des produits en aérosol ou si l'on administre de l'oxygène.

À conserver pour usage ultérieur

Règles de sécurité importantes

Important : bien lire les instructions avant l'utilisation.

ATTENTION – Pour réduire le risque de choc électrique ou de blessures graves :

- Remplacer les piles tous les 6 mois et après chaque utilisation à la suite d'une panne de courant.
- Ne pas faire fonctionner le meuble avant d'avoir installé et bloqué le dossier.
- Déplacer le meuble avec soin. Avant de le soulever, bloquer le mécanisme pour l'empêcher de s'ouvrir ou de bouger. Ne jamais déplacer le meuble par le mécanisme, le repose-pieds, la poignée, le dossier inclinable ou la base pivotante. Déconnecter les modules. Ne saisir que les pièces inamovibles.
- Ne jamais tenter de démonter la pompe ou le moteur ou d'en faire l'entretien. Ces éléments ne contiennent aucune pièce à entretenir. Communiquer avec votre détaillant La-Z-Boy^{MD} pour vous renseigner au sujet du service.
- Ce meuble est doté d'un réglage de tension pour le mécanisme d'inclinaison, pré-réglé en usine. Vous pouvez personnaliser ce réglage. Pour éviter de faire basculer le meuble et pour en assurer la stabilité, ne jamais faire fonctionner le meuble quand l'écrou à oreilles qui règle la tension est complètement desserré (voir les instructions touchant le réglage).
- Garder les mains, les bras et autres parties du corps loin de l'espace ouvert entre le dossier incliné et le dossier vertical du canapé inclinable. Cet espace doit toujours être dégagé pour permettre un mouvement sans obstruction et prévenir les blessures qui pourraient résulter d'un dossier incliné qui se remet en position verticale.

À conserver pour usage ultérieur

Montage du fauteuil inclinable Power Ease^{MC}

ATTENTION - Pour réduire le risque de blessures.

- Ne pas faire fonctionner le meuble avant d'avoir installé et bloqué le dossier.

AVERTISSEMENT - Attendre les instructions avant de brancher le transformateur.

Montage du fauteuil inclinable Power Ease^{MC}

1. Repérer le transformateur électrique et le cordon du transformateur.
 - Le transformateur électrique et le cordon du transformateur sont fixés sur le dessus de la charpente arrière du siège. Couper avec soin les attaches et retirer le transformateur électrique et le cordon du transformateur de la charpente du siège. Retirer l'emballage et dérouler les cordons.
2. Installer le dossier.
 - Si le revêtement du dossier est attaché de tous les côtés à la charpente, voir Montage du dossier, pages 10-11.
 - Si le revêtement du dossier est fixé au moyen d'un ruban de fixation, voir Montage du dossier, pages 12-13.
3. Connecter le cordon du transformateur au moteur.
 - Repérer le connecteur du moteur à l'arrière du fauteuil, en bas à droite, vue assise (FIGURE 1).
 - Connecter le connecteur du cordon du transformateur avec le connecteur du moteur. Enfoncer les connecteurs ensemble jusqu'à ce qu'il n'y ait aucun jour entre eux (FIGURE 1).
 - Faire tourner le couvercle verrouillable du cordon du transformateur sur cette connexion et bloquer en place (FIGURE 2).
4. Connecter le transformateur électrique et le cordon du transformateur.
 - Connecter le connecteur à deux broches du cordon du transformateur avec le réceptacle du transformateur électrique. Enfoncer les connecteurs ensemble jusqu'à ce qu'il n'y ait aucun jour entre eux (FIGURE 3).
5. Choisir pour le fauteuil un emplacement près d'une prise de courant. Passer aux instructions touchant le montage de la pile de secours.

ATTENTION - Pour réduire le risque de blessures.

- Remplacer les piles du transformateur électrique tous les 6 mois et après chaque utilisation à la suite d'une panne de courant.

Montage des piles de secours pour fauteuil inclinable Power Ease^{MC}

Le système de secours se trouve dans le transformateur électrique et utilise deux piles alcalines de 9 volts (non comprises).

1. Débrancher le transformateur électrique de la prise de courant.
2. Retirer la vis à tête étoilée du couvercle sur le dessus du transformateur électrique. Pousser l'onglet vers l'intérieur et soulever la plaque.
3. Fixer un capuchon de connexion sur les bornes de chaque pile. Placer les piles dans le transformateur électrique (FIGURE 4). Remettre le couvercle à piles et le bloquer en place. Fixer à l'aide de la vis à tête étoilée retirée à l'étape 2.
4. Passer aux instructions sur le fonctionnement du mécanisme Power Ease^{MC}.

Montage du fauteuil inclinable Power Ease^{MC}

FIGURE 1

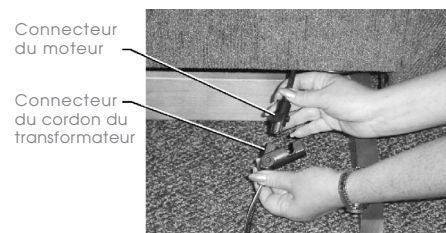


FIGURE 2

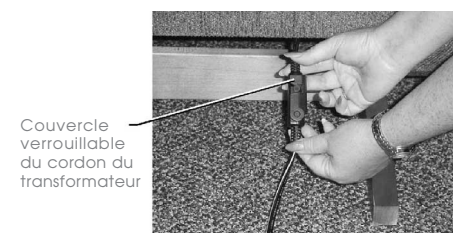


FIGURE 3

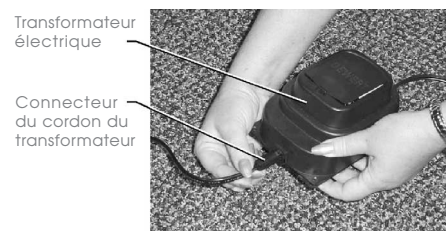
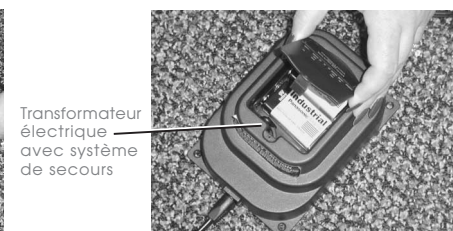


FIGURE 4



Montage du canapé inclinable Power Ease^{MC}

ATTENTION – Pour réduire le risque de blessures.

- Ne pas faire fonctionner le meuble avant d'avoir installé et bloqué les dossiers.

AVERTISSEMENT – Attendre les instructions avant de brancher les transformateurs.

Montage du canapé inclinable Power Ease^{MC}

1. Repérer les transformateurs électriques et les deux cordons des transformateurs.
 - Les transformateurs électriques et les cordons des transformateurs sont fixés à la traverse arrière au bas du canapé. Couper avec soin les attaches et retirer les transformateurs électriques et les cordons des transformateurs de la traverse arrière (FIGURE 1). Retirer l'emballage et dérouler les cordons.
2. Si le revêtement des dossiers est attaché de tous les côtés à la charpente, voir Montage du dossier, pages 10-11.
 - Si le revêtement des dossiers est attaché de tous les côtés à la charpente, voir Montage du dossier, pages 10-11.
 - Si le revêtement des dossiers est fixé au moyen d'un ruban de fixation, voir Montage du dossier, pages 12-13.
3. Connecter les cordons des transformateurs aux moteurs.
 - Repérer les connecteurs des moteurs à l'arrière des sièges de bout (FIGURE 2).
 - Connecter chaque connecteur de cordon de transformateur avec le connecteur du moteur. Enfoncer les connecteurs ensemble jusqu'à ce qu'il n'y ait aucun jour entre eux (FIGURE 2).
 - Faire tourner le couvercle verrouillable du cordon du transformateur sur cette connexion et bloquer en place (FIGURE 3).
4. Connecter les transformateurs électriques et les cordons du transformateur.
 - Connecter le connecteur à deux broches du cordon du transformateur avec le réceptacle du transformateur électrique. Enfoncer les connecteurs ensemble jusqu'à ce qu'il n'y ait aucun jour entre eux (FIGURE 4).
 - Répéter pour connecter les autres transformateurs électriques et cordons de transformateur.
5. Choisir pour le canapé un emplacement près d'une prise de courant. Passer aux instructions touchant le montage de la pile de secours.

ATTENTION – Pour réduire le risque de blessures.

- Remplacer les piles du transformateur électrique tous les 6 mois et après chaque utilisation à la suite d'une panne de courant.

Montage des piles de secours pour canapé inclinable Power Ease^{MC}

Les systèmes de secours se trouvent dans les transformateurs électriques et utilisent chacun deux piles alcalines de 9 volts (non comprises).

1. Débrancher les transformateurs électriques de la prise de courant.
2. Retirer la vis à tête étoilée du couvercle sur le dessus du transformateur électrique. Pousser l'onglet vers l'intérieur et soulever la plaque.
3. Fixer un capuchon de connexion sur les bornes de chaque pile. Placer les piles dans le transformateur électrique (FIGURE 5). Remettre le couvercle à piles et le bloquer en place. Fixer à l'aide de la vis à tête étoilée retirée à l'étape 2.
4. Répéter ces étapes pour les autres transformateurs électriques.
5. Passer aux instructions sur le fonctionnement du mécanisme Power Ease^{MC}.

Montage du canapé inclinable Power Ease^{MC}

FIGURE 1

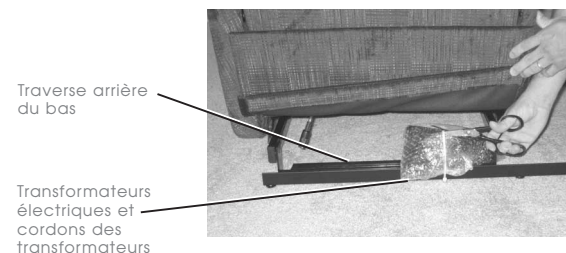


FIGURE 2

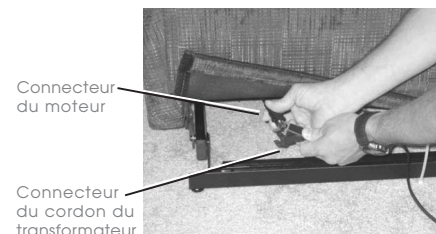


FIGURE 3

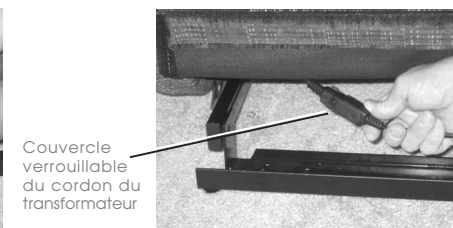


FIGURE 4

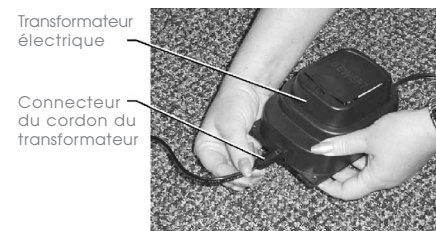
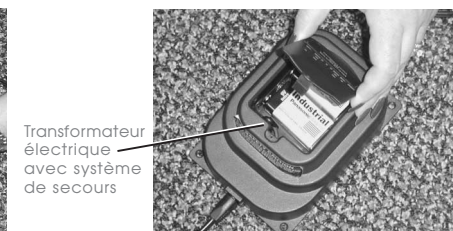


FIGURE 5



Montage du dossier Power Ease^{MC}

Les instructions ci-dessous s'appliquent au fauteuil ou canapé dont tous les côtés du revêtement sont fixés à la charpente. Passer aux instructions de la page suivante si le revêtement de votre canapé ou fauteuil est amovible et retenu par un ruban de fixation.

ATTENTION – Pour réduire le risque de blessures.

- Ne pas faire fonctionner le meuble avant d'avoir installé et bloqué le(s) dossier(s).

AVERTISSEMENT – Attendre les instructions avant de brancher le(s) transformateur(s).

Installer le(s) dossier(s) du fauteuil ou canapé

1. Coucher le dossier sur les bras du meuble. Soulever légèrement le dossier et aligner les fixations du dossier avec celles de la charpente (FIGURE 1).
2. Coucher le dossier sur la charpente en vous assurant que les fixations du dossier et de la charpente sont bien engagées.
 - Pour vérifier que le dossier est installé correctement avec les deux jeux de fixations bien engagés, vous tenir debout derrière le fauteuil et bouger le dossier d'un côté à l'autre. Si un ou deux côtés sortent de leur position, les fixations ne sont pas engagées (FIGURE 2). Retirer le dossier et répéter les étapes ci-dessus.
 - Si vous êtes incapable d'installer correctement le dossier, communiquer avec votre détaillant La-Z-Boy pour obtenir de l'aide.
3. Bloquer les fixations en les poussant vers le bas à l'aide d'un tournevis pour écrous à fente. Bloquer chaque fixation (FIGURE 3). Les fixations doivent être bloquées pour que le meuble fonctionne.
4. Répéter les étapes ci-dessus pour installer les autres dossiers du canapé inclinable.
5. Revenir aux instructions pour le montage du canapé ou fauteuil inclinable Power Ease^{MC} pour terminer le montage.

Montage du dossier Power Ease^{MC}

FIGURE 1

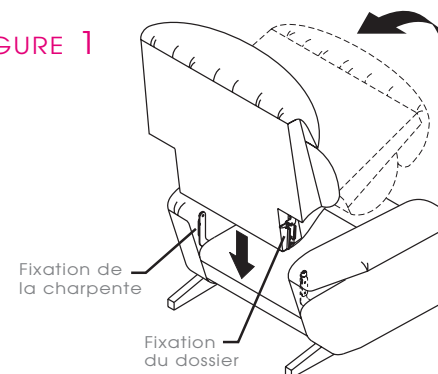
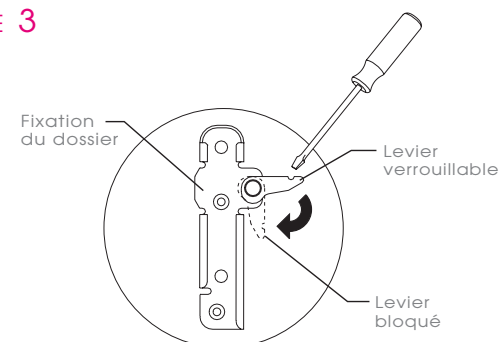


FIGURE 2



À gauche, les fixations du dossier et de la charpente ne sont pas engagées. Retirer le dossier et réinstaller.

FIGURE 3



Montage du dossier Power Ease^{MC}

Les instructions ci-dessous s'appliquent au fauteuil ou canapé dont le revêtement est amovible et retenu par un ruban de fixation. Passer aux instructions de la page précédente si tous les côtés du revêtement de votre canapé ou fauteuil sont fixés à l'arrière de la charpente.

⚠ ATTENTION – Pour réduire le risque de blessures.

- Ne pas faire fonctionner le meuble avant d'avoir installé et bloqué le(s) dossier(s).

⚠ AVERTISSEMENT – Pour réduire le risque de blessures mineures.

- Une fois le(s) dossier(s) installé(s), le revêtement extérieur arrière doit être bien en place en tout temps.

AVERTISSEMENT – Attendre les instructions avant de brancher le(s) transformateur(s).

Installer le(s) dossier(s) du fauteuil ou canapé

1. Coucher le dossier sur les bras du meuble. Soulever légèrement le dossier et aligner les fixations du dossier avec celles de la charpente (FIGURE 1).
2. Coucher le dossier sur la charpente en vous assurant que les fixations du dossier et de la charpente sont bien engagées.
 - Pour vérifier que le dossier est installé correctement avec les deux jeux de fixations bien engagés, vous tenir debout derrière le meuble et bouger le dossier d'un côté à l'autre. Si un ou deux côtés sortent de leur position, les fixations ne sont pas engagées (FIGURE 2). Retirer le dossier et répéter les étapes ci-dessus.
 - Si vous êtes incapable d'installer correctement le dossier, communiquer avec votre détaillant La-Z-Boy pour obtenir de l'aide.
3. Bloquer les fixations en les poussant vers le bas à l'aide d'un tournevis pour écrous à fente. Bloquer chaque fixation (FIGURE 3). Les fixations doivent être bloquées pour que le meuble fonctionne.
4. En gardant les mains en dehors des pièces intérieures de la charpente, rattacher le revêtement du dossier à la charpente du meuble en resserrant bien le revêtement du dossier et en pressant fermement le ruban de fixation du revêtement du dossier sur le ruban de fixation de la charpente (FIGURE 4).
5. Répéter les étapes ci-dessus pour installer les autres dossiers du canapé inclinable.
6. Revenir aux instructions pour le montage du canapé ou fauteuil inclinable Power Ease^{MC} pour terminer le montage.

Montage du dossier Power Ease^{MC}

FIGURE 1

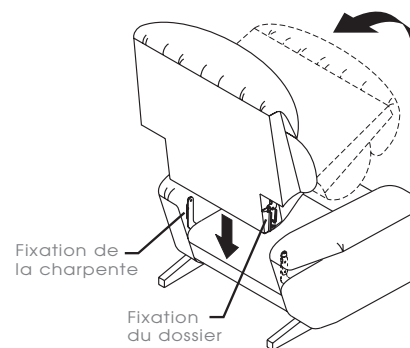


FIGURE 2



À gauche, les fixations du dossier et de la charpente ne sont pas engagées. Retirer le dossier et réinstaller.

FIGURE 3

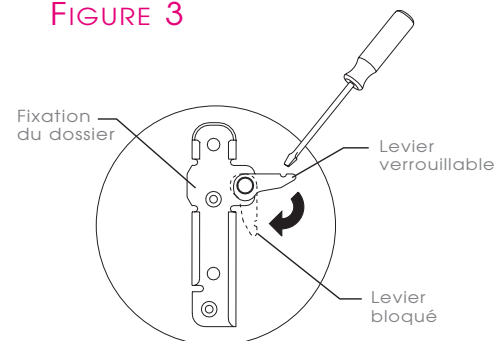


FIGURE 4



Fonctionnement du mécanisme Power Ease^{MC}

Revoir les règles de sécurité importantes au début de cette brochure avant l'utilisation.

⚠ ATTENTION - Pour réduire le risque de blessures graves.

- Vous asseoir lentement sur le meuble. Pour éviter qu'il bascule, ne pas lancer votre poids contre le dossier. Y aller lentement quand vous vous inclinez ou remettez en position verticale, et vous assurer qu'il n'y a pas d'enfant ou d'animal de compagnie à proximité.
- Pour sortir du meuble en toute sécurité et pour éviter le risque de chute, remettre le dossier en position verticale et refermer le repose-pieds.
- Vérifier régulièrement l'état du transformateur électrique, des cordons d'alimentation, de la prise et des connecteurs. Garder le transformateur électrique et les cordons d'alimentation loin des sources de chaleur. Ne jamais faire fonctionner le meuble si le transformateur électrique, le cordon d'alimentation, la prise ou un connecteur est endommagé. Communiquer avec votre détaillant La-Z-Boy^{MD} pour le service.
- Garder les mains, les bras et autres parties du corps loin de l'espace ouvert entre le dossier incliné et le dossier vertical du canapé inclinable. Cet espace doit toujours être dégagé pour permettre un mouvement sans obstruction et prévenir les blessures qui pourraient résulter d'un dossier incliné qui se remet en position verticale.

Fonctionnement du fauteuil ou canapé inclinable Power Ease^{MC}

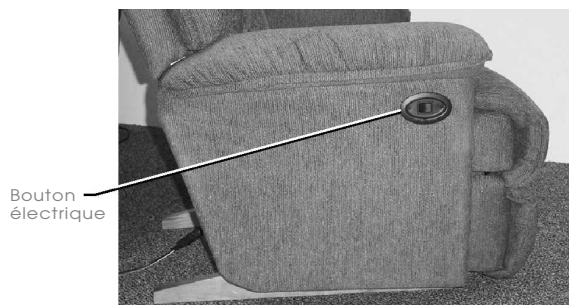
Brancher le(s) transformateur(s) électrique(s). *S'assurer qu'il y a assez de jeu dans le cordon entre le fauteuil et la prise pour permettre le bercement et l'inclinaison. Ne jamais étirer ou forcer un cordon.*

Fonctionnement du mécanisme Power Ease^{MC}

Le repose-pieds électrique fonctionne au moyen d'un bouton électrique situé à l'extérieur du bras (FIGURE 1).

- Pour soulever le repose-pieds, appuyer sur le devant du bouton électrique et tenir. Relâcher le bouton quand le repose-pieds atteint la hauteur voulue.
- Pour abaisser le repose-pieds, appuyer sur l'arrière du bouton électrique et tenir. Relâcher le bouton quand le repose-pieds atteint la hauteur voulue ou quand il est complètement refermé.

FIGURE 1



Caractéristiques du transformateur Power Ease^{MC} :

Entrée : C.A. 115 V 60 Hz

Sortie : C.C. 24 V 3,33 A

Dépannage pour le mécanisme Power Ease^{MC}

⚠ ATTENTION - Pour réduire le risque de blessures.

- Ne jamais tenter de démonter la pompe ou le moteur ou d'en faire l'entretien. Ces éléments ne contiennent aucune pièce à entretenir. Communiquer avec votre détaillant La-Z-Boy^{MD} pour vous renseigner au sujet du service.

Dépannage pour les fauteuils et canapés inclinables Power Ease^{MC}

Il n'y a aucune exigence d'entretien ou de réparations pour le propriétaire. Si le meuble électrique ne fonctionne pas :

1. Vous assurer que le transformateur électrique est bien branché dans une prise de courant.
2. Vous assurer que la prise de courant fonctionne. Par exemple, vérifier qu'aucun fusible n'a sauté ou qu'aucun disjoncteur n'a déclenché.
3. Vous assurer que tous les connecteurs sont bien connectés; voir les instructions pour le montage.
4. Vous assurer que les cordons d'alimentation ne sont ni tordus ni coincés. Vous assurer que le cordon d'alimentation et la prise ne sont pas endommagés.

Si le meuble électrique ne fonctionne toujours pas correctement, communiquer avec votre détaillant La-Z-Boy^{MD} qui vous expliquera comment retourner le meuble pour examen et réparation. *Ne jamais effectuer de réparations ou de réglages vous-même* sauf pour remplacer les transformateurs électriques.

Remplacement du transformateur électrique

Si le transformateur électrique doit être remplacé :

1. Débrancher le transformateur électrique de la prise de courant.
2. Repérer la connexion du transformateur électrique; voir les instructions pour le montage. Tirer doucement sur les connecteurs pour les séparer.
3. Engager le connecteur du transformateur électrique de rechange dans le connecteur correspondant. Voir les instructions pour le montage. *Enfoncer les connecteurs ensemble jusqu'à ce qu'il n'y ait aucun jour entre eux.*

Réglage de l'inclinaison

ATTENTION – Pour réduire le risque de blessures.

- Ce meuble est doté d'un réglage de tension pour le mécanisme d'inclinaison, préréglé en usine. Vous pouvez personnaliser ce réglage. Pour éviter de faire basculer le meuble et pour en assurer la stabilité, ne jamais faire fonctionner le meuble quand l'écrou à oreilles qui règle la tension est complètement desserré (voir ci-dessous, Instructions touchant le réglage).

AVERTISSEMENT – Pour réduire le risque de dommages.

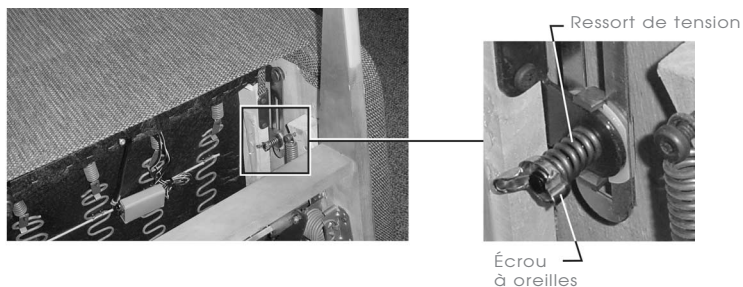
- Vous assurer que le repose-pieds de chaque meuble est fermé avant de faire basculer vers l'avant et de régler la tension.
- Ne pas resserrer complètement les écrous à oreilles, ce qui risque de causer des dommages. Les ressorts ne doivent pas être complètement comprimés après le réglage. Le cas échéant, desserrer l'écrou à oreilles d'au moins un demi-tour pour éviter d'endommager le mécanisme de tension des ressorts.
- Ne pas desserrer complètement les écrous à oreilles. Le ressort ne doit pas glisser sur le boulon après le réglage. Le cas échéant, tourner les écrous à oreilles dans le sens horaire au moins un demi-tour après que le ressort ait cessé de glisser sur le boulon.
- Régler les deux écrous à oreilles à égalité.

Instructions touchant le réglage

Vous pouvez régler la tension du mécanisme d'inclinaison pour convenir à votre taille et à vos préférences.

1. Faire basculer doucement le fauteuil ou le canapé vers l'avant pour qu'il repose sur les bras et le dessus du dossier. Repérer les écrous à oreilles, soit un de chaque côté, vers l'arrière du meuble sous chaque siège inclinable (FIGURE 1, un seul côté illustré).
2. Régler la tension en tournant les écrous à oreilles par quarts de tour jusqu'à ce que le réglage voulu soit atteint.
 - La personne plus grande ou plus lourde peut choisir d'augmenter la tension d'inclinaison en resserrant les écrous à oreilles dans le sens horaire.
 - La personne plus courte peut choisir de réduire la tension d'inclinaison en desserrant les écrous à oreilles dans le sens anti-horaire.
3. Remettre le fauteuil ou le canapé dans la position verticale. Faire l'essai du nouveau réglage. Répéter au besoin.

FIGURE 1



Réglage du glissement du canapé inclinable

ATTENTION – Pour réduire le risque de blessures.

- Prévoir un parcours sans obstructions pour faire fonctionner le fauteuil, le dossier et le repose-pieds. Placer les tables et les carpettes assez loin pour que le repose-pieds puisse s'ouvrir complètement sans frottement ni obstruction.

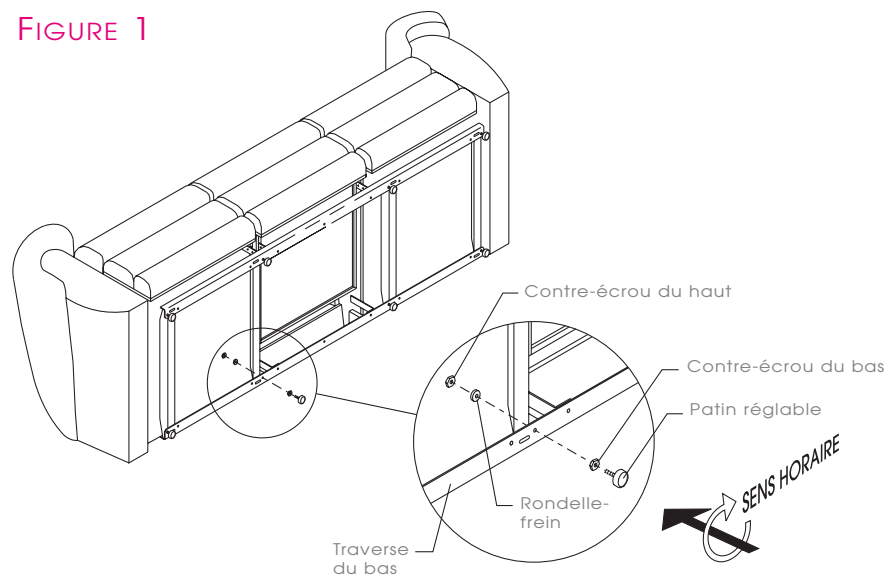
Pour régler les patins

Vous assurer que les patins sont réglés à une hauteur qui offre un parcours libre pour faire fonctionner le repose-pieds.

Chaque patin est fixé à la traverse du bas par un contre-écrou et une rondelle-frein sur le dessus de la traverse du bas et un contre-écrou sur le dessous de la traverse (FIGURE 1).

1. Pour allonger le patin, desserrer le contre-écrou du haut en le tournant dans le sens horaire. Tourner le contre-écrou du bas dans le sens horaire jusqu'à la hauteur voulue (FIGURE 1).
2. Resserrer le contre-écrou du haut en le tournant dans le sens anti-horaire (FIGURE 1).
3. Répéter 1 et 2 pour chaque patin, au besoin.
4. Répéter cette marche à suivre au besoin pour mettre le canapé au niveau.

FIGURE 1



⚠ ATTENTION – Pour réduire le risque de blessures.

- Prévoir un parcours sans obstructions pour faire fonctionner le fauteuil, le canapé, le dossier et le repose-pieds. Placer les tables et les carpettes assez loin pour que le repose-pieds puisse s'ouvrir complètement sans frottement ni obstruction.

Comment disposer vos meubles

Pour placer votre meuble inclinable à une bonne distance du mur, incliner entièrement le meuble en laissant au moins 5 cm entre le dessus du dossier entièrement incliné et le mur (FIGURE 1).

Vous assurer que les tables et autres articles sont assez loin pour ne pas gêner le repose-pieds. Une table mal placée pourrait coincer l'occupant dans le fauteuil, tel qu'il est illustré à la figure 2. Il faut qu'il y ait assez de jeu pour que le repose-pieds soit entièrement ouvert avant d'être refermé.

FIGURE 1



FIGURE 2

